

LIVING DESIGNS GROUP ARCHITECTS

122A Doña Luz St. | Taos, NM 87571 | T: 575.751.9481 | arch@ldgtaos.com

PROJECT NAME: Pojoaque Valley High School – Softball/Soccer Field Improvements
RFP NO: 12-2017-2018
OWNER: Pojoaque Valley School District
DATE: May 15, 2018
TO: ALL BIDDERS & PLAN HOLDERS
FROM: LDG Architects, Douglas Patterson – Principal Architect

ADDENDUM NO. I

THE FOLLOWING ITEMS CONSTITUTE CHANGES, ADDITIONS, OR CLARIFICATIONS TO THE CONSTRUCTION DOCUMENTS DATED **5-10-2018**, AND PER INDEX, PREPARED BY LIVING DESIGNS GROUP ARCHITECTS. AS SUCH, THESE ITEMS SHALL BECOME PART OF THE CONSTRUCTION DOCUMENTS FOR BIDDING AND CONSTRUCTION OF THIS PROJECT.

CONSTRUCTION DOCUMENT MODIFICATIONS

The contractor is responsible for transmission of this information to all crew and subcontractors.

I. Sheet ES-000 Electrical Notes, Schedules & Diagrams

REPLACE/AMEND: 24x36 Sheet ES-000 Electrical Notes, Schedules & Diagrams.

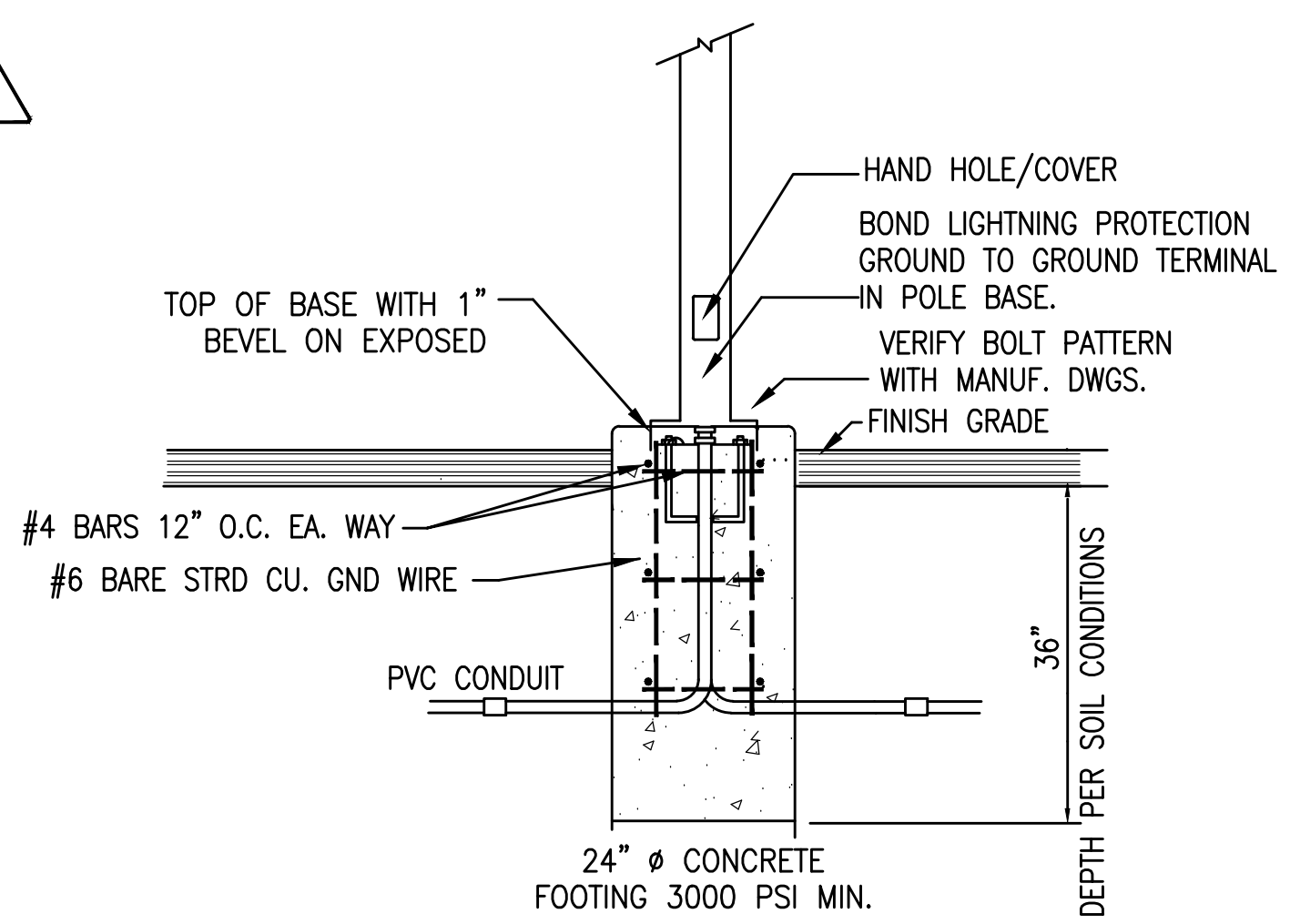
Attachments:
ES-000 (1 @24x36)

END OF ADDENDUM NUMBER ONE

I page total (plus attachments)

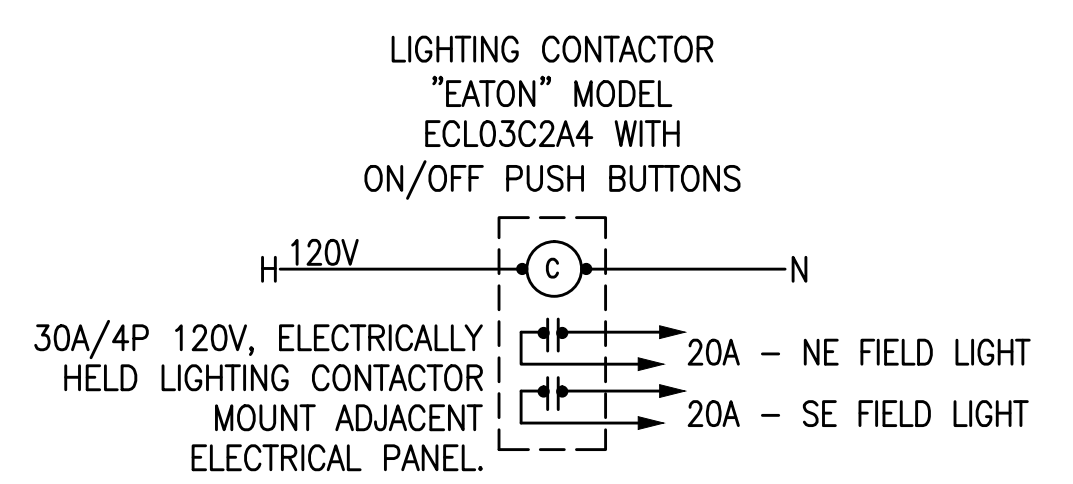
PANEL P													
VOLTAGE (L-N):				120				ENCLOSURE TYPE:				NEMA3R	
VOLTAGE (L-L):				208				MOUNTING:				SURFACE	
PHASES, WIRES:				3 φ 4 W				AIC RATING (A):				10000	
MINIMUM BUS CAPACITY (A):				100 A				NOTES:				----	
MAIN O.C. DEVICE (A):				100 A									
CKT NO	DESCRIPTION	TRIP AMPS	POLE	PHASE LOADS (VA)						TRIP AMPS	DESCRIPTION	CKT NO	
				A	B	C	POLE						
1	SCORE BOARD	20	1	1200	480				1	20	POLE LIGHTS	2	
3	SCORE BOARD	20	1			1200	0		1	20	SPARE	4	
5	GEN. RECPTS.	20	1					720	600	1	20	NW FIELD LIGHT	6
7	SW FIELD LIGHT	20	1	600	0				1	20	SPARE	8	
9	SPARE	20	1		0	0			1	20	SPARE	10	
11	SPARE	20	1				0	0	1	20	SPARE	12	
13	SPARE	20	1	0	0				1	20	SPARE	14	
15	SPARE	20	1				0	0	1	20	SPARE	16	
17	SPARE	20	1					0	1	20	SPARE	18	
19	SPARE	20	1	0	0				1	20	SPARE	20	
21	SPARE	20	1				0	0	1	20	SPARE	22	
23	SPARE	20	1					0	1	20	SPARE	24	
25	SPARE	20	1	0	0				3	60	PANEL P1	26,28,30	
27	SPARE	60	1				0	0	3	60	PANEL P1	26,28,30	
29	SPARE	60	1					0	3	60	PANEL P1	26,28,30	
				CONNECTED LOAD PHASE TOTALS (VA)									
				2280		1200		1320					
				CONNECTED LOAD (KVA)		DEMAND FACTOR		DEMAND LOAD (KVA)		DEMAND LOAD 5.2 KVA			
				Equipment 2.4		1.00		2.4		SPARE CAPACITY 23.6 KVA			
				Lighting 1.7		1.25		2.1		SPARE CAPACITY 65.5 AMP S			
				Receptacles (0 - 10 KVA) 0.7		1.00		0.7		SPARE CAPACITY 82 %			
				PHASE BALANCE									
				A TO B 53 %									
				B TO C 91 %									
				C TO A 58 %									
				TOTAL: 4.8				5.2					
				LOAD (AMPS): 13.3				14.5					

PANEL P1													
VOLTAGE (L-N):				120				ENCLOSURE TYPE:				NEMA3R	
VOLTAGE (L-L):				208				MOUNTING:				SURFACE	
PHASES, WIRES:				3 φ 4 W				AIC RATING (A):				10000	
MINIMUM BUS CAPACITY (A):				100 A				NOTES:				----	
MAIN O.C. DEVICE (A):				60 A									
CKT NO	DESCRIPTION	TRIP AMPS	POLE	PHASE LOADS (VA)						TRIP AMPS	DESCRIPTION	CKT NO	
				A	B	C	POLE						
1	STORAGE RECPTS.	20	1	360	720				1	20	SCORE ARE RECPTS.	2	
3	STORAGE LIGHTS	20	1			720	720		1	20	BATTING CAGE	4	
5	NE FIELD LIGHT	20	1					600	720	1	20	GENERAL OUTLETS	6
7	SE FIELD LIGHT	20	1	600	0				1	20	SPARE	8	
9	SPARE	20	1		0	0			1	20	SPARE	10	
11	SPARE	20	1				0	0	1	20	SPARE	12	
13	SPARE	20	1	0	0				1	20	SPARE	14	
15	SPARE	20	1				0	0	1	20	SPARE	16	
17	SPARE	20	1					0	1	20	SPARE	18	
				CONNECTED LOAD PHASE TOTALS (VA)									
				1680		1440		1320					
				CONNECTED LOAD (KVA)		DEMAND FACTOR		DEMAND LOAD (KVA)		DEMAND LOAD 4.9 KVA			
				Lighting 1.9		1.25		2.4		SPARE CAPACITY 12.4 KVA			
				Receptacles (0 - 10 KVA) 2.5		1.00		2.5		SPARE CAPACITY 34.3 AMP S			
				PHASE BALANCE									
				A TO B 86 %									
				B TO C 92 %									
				C TO A 79 %									
				TOTAL: 4.4				4.9					
				LOAD (AMPS): 12.3				13.7					



POLE BASE DETAIL

NOT TO SCALE



LIGHTING CONTROLLER DETAIL

NOT TO SCALE

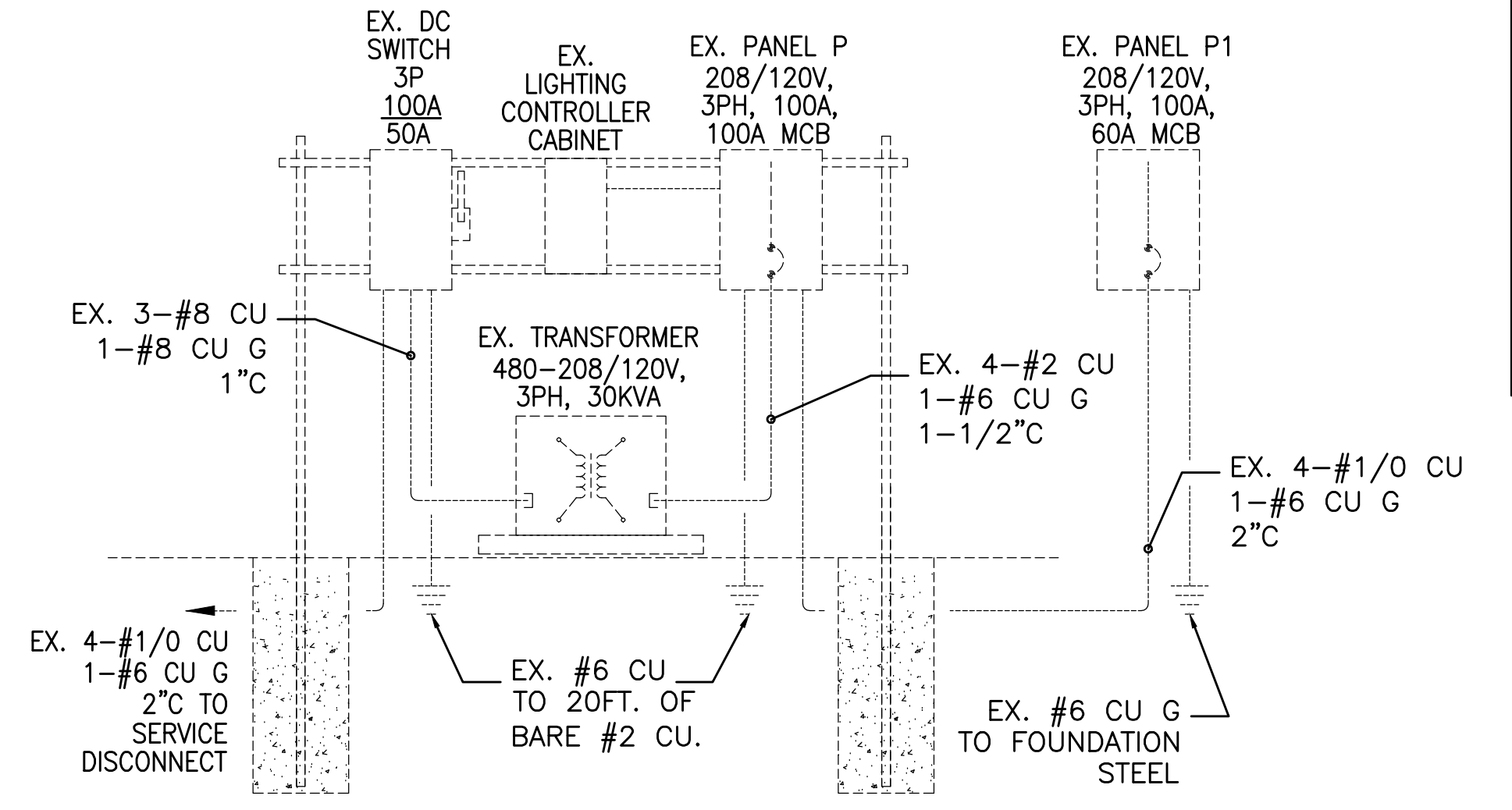
GENERAL NOTES:

- THE ELECTRICAL CONTRACTOR SHALL BE RESPONSIBLE FOR COORDINATING AND PROVIDING ALL WORK INDICATED BY THESE DRAWINGS. THIS CONSISTS OF FURNISHING ALL LABOR, EQUIPMENT, SUPPLIES AND MATERIALS IN ADDITION TO PERFORMING ALL OPERATIONS INCLUDING CUTTING, CHANNELING AND UNDERGROUND TRENCHING NECESSARY FOR THE INSTALLATION OF COMPLETE POWER, LIGHTING, OR OTHER SYSTEMS AS SHOWN.
- PERFORM ALL ELECTRICAL WORK IN A NEAT AND WORKMANLIKE MANNER IN FULL COMPLIANCE WITH ALL APPLICABLE CODES AND THE NATIONAL ELECTRICAL CODE (NEC). ALL LOCAL AND STATE REQUIREMENTS WILL BE OBSERVED DURING THE PERFORMANCE OF THIS WORK.
- SHOULD THE CONTRACTOR DETECT ANY DISCREPANCIES BETWEEN CONTRACT DOCUMENTS AND LEGAL OR SAFETY REQUIREMENTS FOR THE PROJECT, HE SHALL PROMPTLY NOTIFY THE ENGINEER IN WRITING. ONCE NOTIFIED THE ENGINEER SHALL MODIFY THE CONTRACT DOCUMENTS ACCORDINGLY. IF THE CONTRACTOR PROCEEDS WITH ANY WORK WHICH IS IN VARIANCE OF KNOWN LEGAL OR SAFETY REQUIREMENTS, THE CONTRACTOR SHALL ASSUME RESPONSIBILITY FOR THIS WORK AND SHALL PROMPTLY CORRECT THE WORK WHEN NOTIFIED WITHOUT ADDITIONAL COST TO THE OWNER.
- EXTEND ALL CONDUIT AND CONDUCTORS, INSTALL ELECTRICAL EQUIPMENT AS NECESSARY, AND MAKE ALL FINAL CONNECTIONS TO MECHANICAL AND OWNER FURNISHED EQUIPMENT. LEAVE ALL EQUIPMENT IN OPERABLE CONDITION WITH APPROPRIATE OVERLOAD AND SERVICE DISCONNECT PROTECTION AS REQUIRED BY THE APPLICABLE CODES. FOLLOW MANUFACTURER INSTALLATION GUIDELINES WHERE APPLICABLE.
- PROVIDE WIRING DEVICES RATED FOR THE GIVEN APPLICATION AS REQUIRED BY CODE. SPECIAL DEVICES SHALL BE PROVIDED AS INDICATED.
- SIZE ALL BOXES AND ENCLOSURES PER THE NEC. PROVIDE WORKING SPACE FOR ELECTRICAL INSTALLATIONS IN ACCORDANCE WITH NEC, ARTICLE 110.
- AFTER COMPLETION OF THE INSTALLATION, THE ENTIRE SYSTEM SHALL BE THOROUGHLY CLEANED. REMOVE ALL FOREIGN MATTER, PAINT, OIL, DIRT, GREASE, UNNEEDED LABELS OR STICKERS FROM FIXTURES AND EQUIPMENT. REMOVE ALL RUBBISH AND DEBRIS ACCUMULATED DURING INSTALLATION FROM THE PREMISES.

ELECTRICAL SYMBOLS LEGEND

LIGHTING		POWER	
SYMBOL	DESCRIPTION	SYMBOL	DESCRIPTION
	OUTDOOR POLE MOUNTED		DUPLEX RECEPTACLE, 18" AFF
	LIGHTING CONTACTOR		FOURPLEX RECEPTACLE, 18" AFF
	PHOTO CELL		GND FLT INTERRUPT RECEPT., 18" AFF
	EXISTING DEVICE SHOWN DASHED		WEATHER PROOF RECEPTACLE, 18" AFF
			DISCONNECT SWITCH
			PULL BOX
			CEILING MOUNTED JUNCTION BOX
			WALL MOUNTED JUNCTION BOX
			ELECTRICAL PANEL, SURFACE MOUNTED
			ELECTRICAL PANEL, RECESSED MOUNTED
			PAD MOUNT TRANSFORMER
			WALL MOUNT TRANSFORMER
			ELECTRICAL KEYED NOTE
			EQUIPMENT SYMBOL
			CONDUIT LEADER LINE FOR SIZES
			BRANCH CIRCUIT HOMERUN
			GROUND

NOTE: THIS SYMBOLS LEGEND IS A GENERAL REPRESENTATION OF DEVICES USED. SOME PROJECTS MAY NOT UTILIZE ALL SYMBOLS REPRESENTED. COORDINATE ALL SYMBOLS FROM PLANS.



PARTIAL ELECTRICAL RISER DIAGRAM

SCALE: NOT TO SCALE

LIGHT FIXTURE SCHEDULE

KEY	DESCRIPTION	MANUFACTURER	CATALOG #	TYPE	VOLT.	WATTS/FIXTURE	MOUNTING	COMMENTS
F	POLE LIGHT	"METEOR LIGHTING"	BTS-560-408-UNV-30-BLK-BRK-GSV-OUT	LED	UNV	560	POLE	50 FT. POLE HEIGHT, MIN. 65,800 LUMENS PER FIXTURE.

M&E ENGINEERING
 SANTA FE: 1222 Luján St. Suite B Santa Fe, NM 87505 505/983-2389
 ALBUQUERQUE: 8417 Washington Pl., NE Albuquerque, NM 87113 505/856-1699
 PROJECT #18042



122 A DOÑA LUZ
 TAOS, NM 87571
 P 575 751 9481
 F 575 751 9483
 www.ldgtaos.com



POJOAQUE H.S. DUAL FIELD
 SOFTBALL/SOCCER SPORTS LIGHTING
 1574 NM STATE ROAD 502
 POJOAQUE, NM 87506

PROJ. NO:

ISSUE DATE: 05/10/2018
 ISSUED FOR: CONSTRUCTION

REVISIONS:

NO	DATE	DESCRIPTION
1	05/14/18	ADDENDUM #1

DRAFTED BY:
 APPROVED BY:

SCALE: PER DETAIL & DIAGRAM

ELECTRICAL NOTES, SCHEDULES & DIAGRAMS ES-000